

*Deformation Monitoring*



certified with  
ISO 9000:2008

*special geometry  
for accurate targeting*

*Moniterra-Targets*

**24hrs  
measuring**

target foil



combination upon customer's request

# Moniterra-Targets

## SPECIFICATIONS

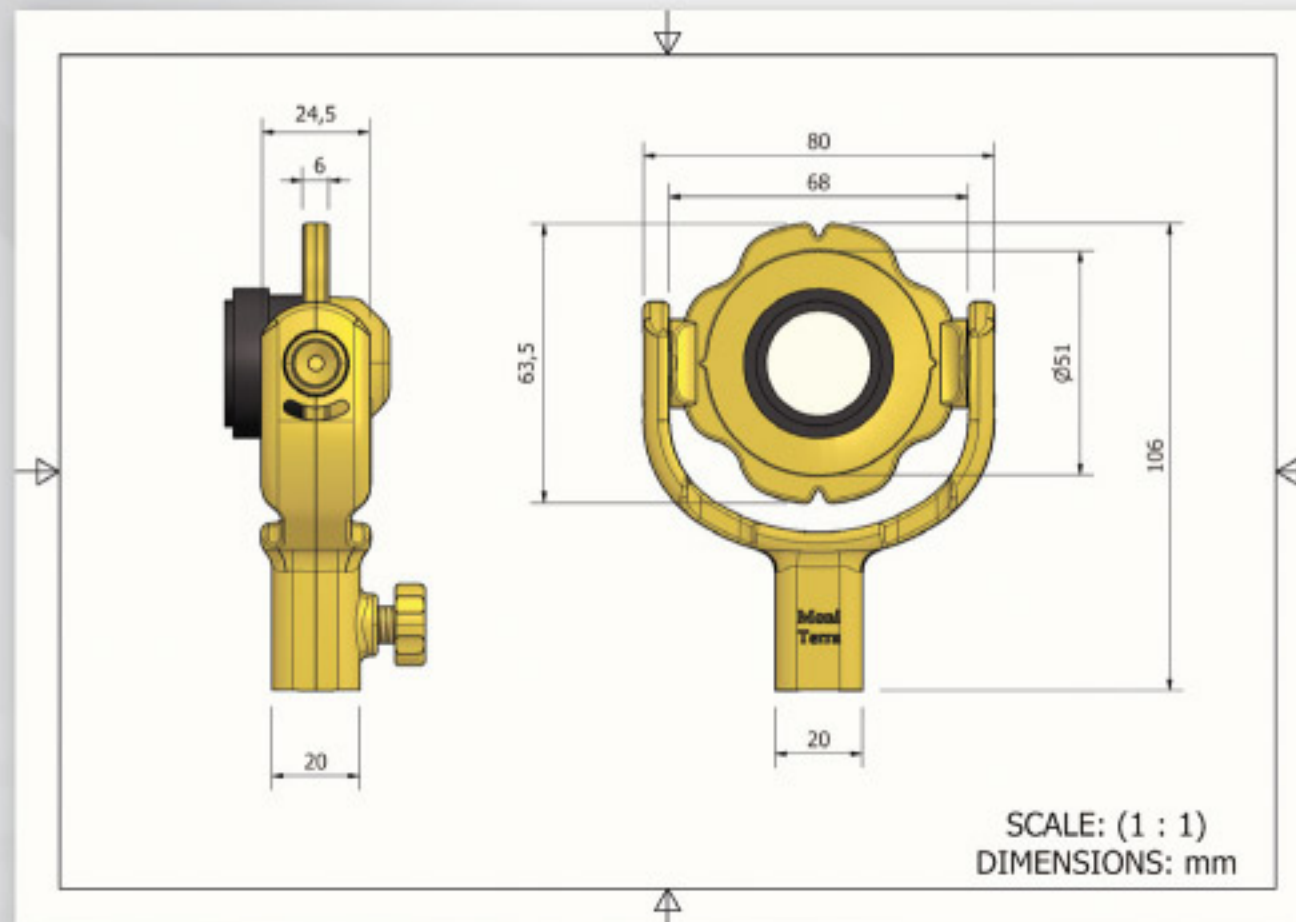
Bi-reflex target	Prism target
Measuring range for monitoring 1 m to 200 m	Measuring range 0.5 m to 800 m
Manufacturing accuracy $\pm 0.1$ mm	Manufacturing accuracy $\pm 0.1$ mm
Material Reflector support is UV plastic (poly)amide PA 6	Material Reflector support is UV plastic (poly)amide PA 6
Mounted on universal joints (Leica type, 5/8")	Mounted on universal joints (Leica type, 5/8")
Both sides reflective foil	Diameter 25.4mm (1inch) prism
Additive constant +0.5mm	Additive constant -17.5mm



Prism target back side



In glow colour



## ADVANTAGES

- UV Protected Plastic
- Rotation locking serrations
- Clear cut notches for accurate aiming
- Custom reflective tape per target's side
- Capability of low or no light aiming due to target's illumination (Illuminated series)
- Measured EDM Signal reflection foil 300 m ( $0^\circ \div 45^\circ$  target surface rotation)
- Certification for each separate part
- Flexible and modularly designed product line
- Easy mounted on universal joint
- Recycled product 100%

## APPLICATIONS

- Tunnels, dams, monuments, bridges, structures, buildings, slopes, landslides



## List of services & products

Moniterra-Targets • Moniterra-Data Base • Moniterra-Automated Monitoring System • Moniterra-Services



8 Elpidos str., N. Iraklio, 14121, Athens-Greece

tel +30 2102814701, +30 6944 867584

fax +30 2102750392

web [www.geosophy.eu](http://www.geosophy.eu)

email [info@geosophy.eu](mailto:info@geosophy.eu)